

feather&black

Perfect Bedtimes

Noah Desk

IMPORTANT READ CAREFULLY RETAIN FOR FUTURE REFERENCE

Thank you for buying the Noah Desk

- Please take a few quiet minutes to read these instructions
- This product contains small parts, keep small children clear of the assembly area

PRODUCT SAFETY

- All assembly fastenings should always be tightened properly and care should be taken that no fittings are loose
- Periodically check and ensure that all components are in their proper position, free from damage, and that all connectors are tight

PRODUCT CARE

- Wipe clean using a soft damp cloth followed by dry cloth
- Do not use abrasives or cleaning products which may contain ammonia or solvents
- Take care when handling or moving the furniture. Careless handling can damage wooden furniture, try to lift rather than drag

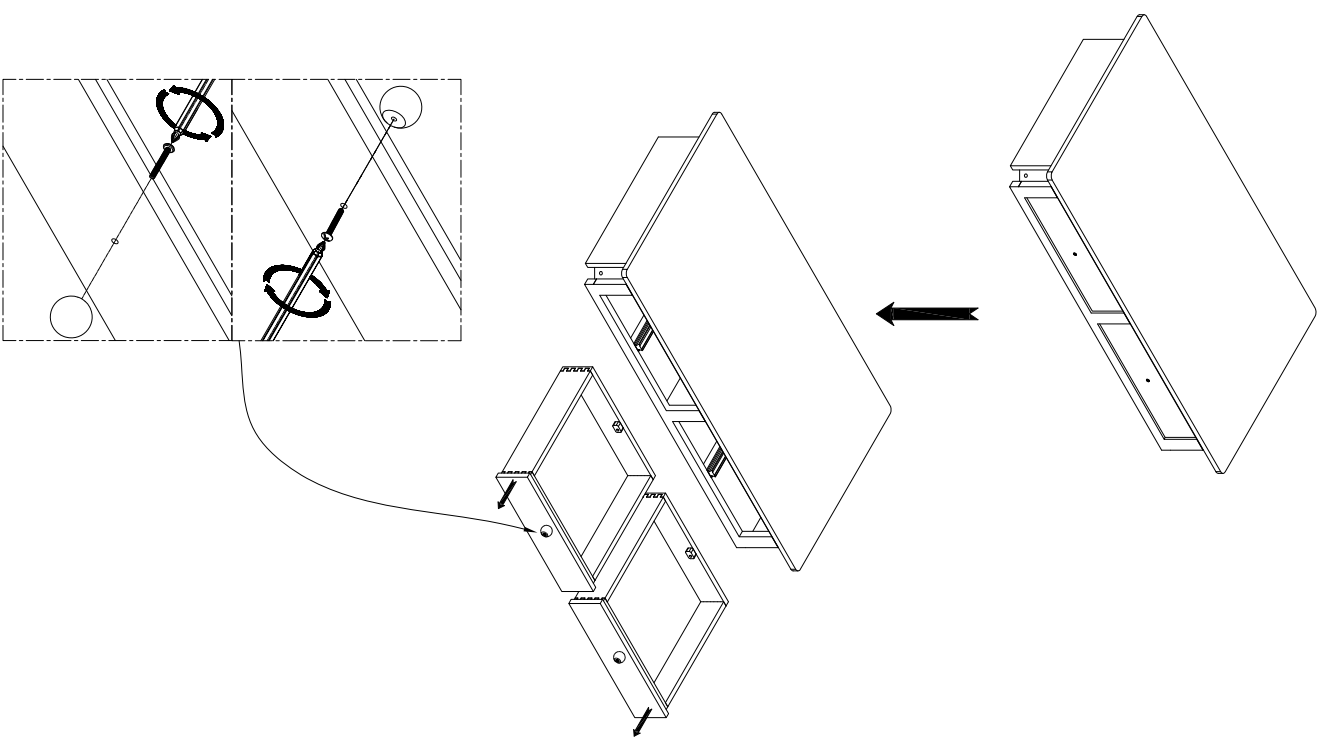
TOOLS REQUIRED



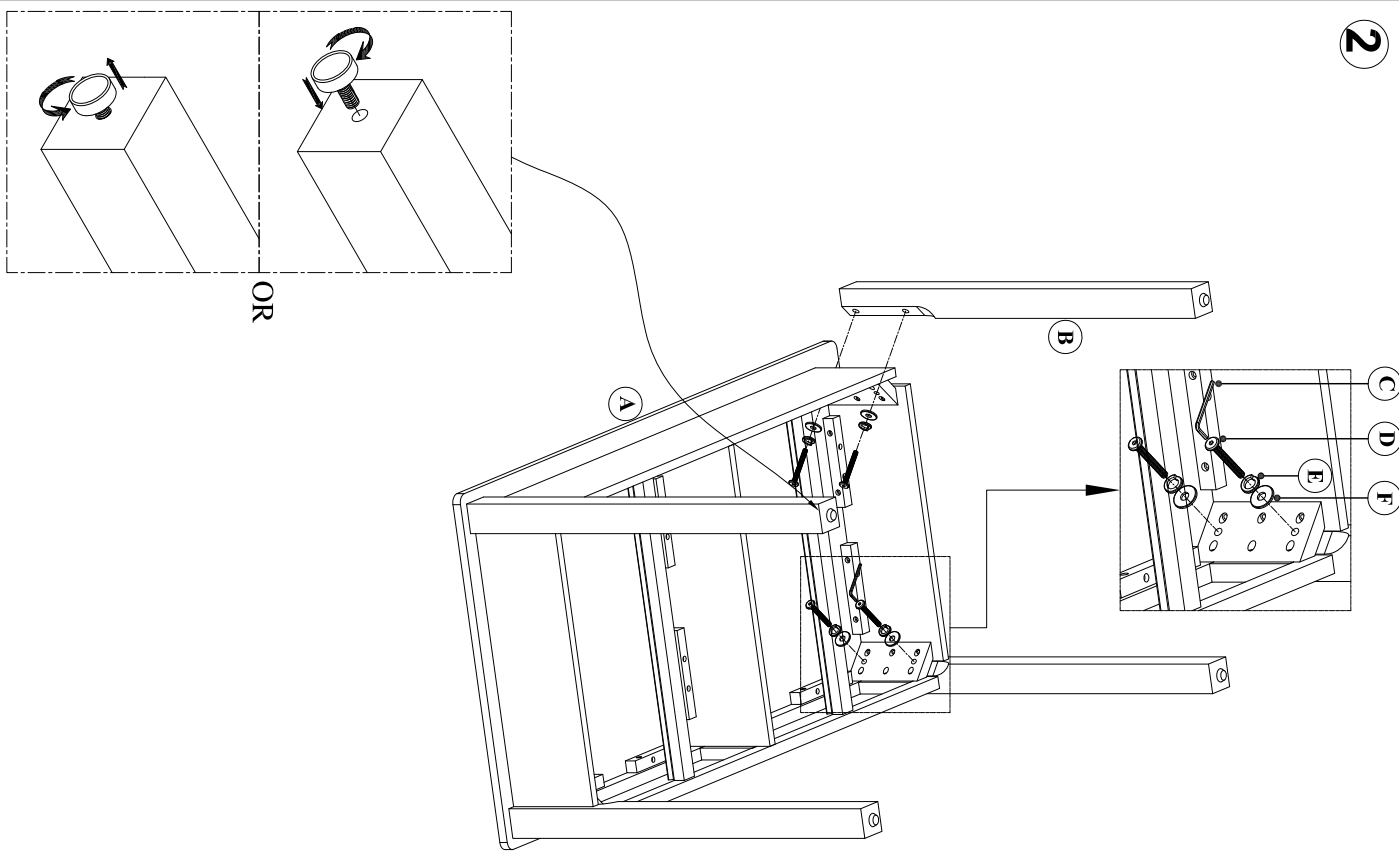
ASSEMBLY INSTRUCTIONS

	PARTS	QTY
A		1PC
B		4PCS
C		1PC
D		8PCS
E		8PCS
F		8PCS
G		4PCS
H		4PCS
T		2PCS

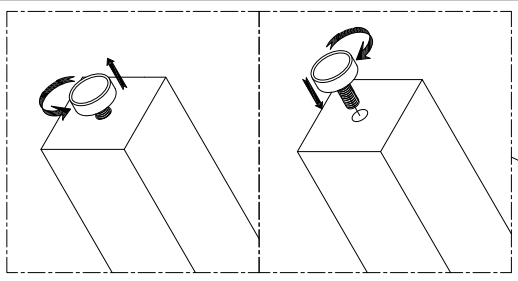
1



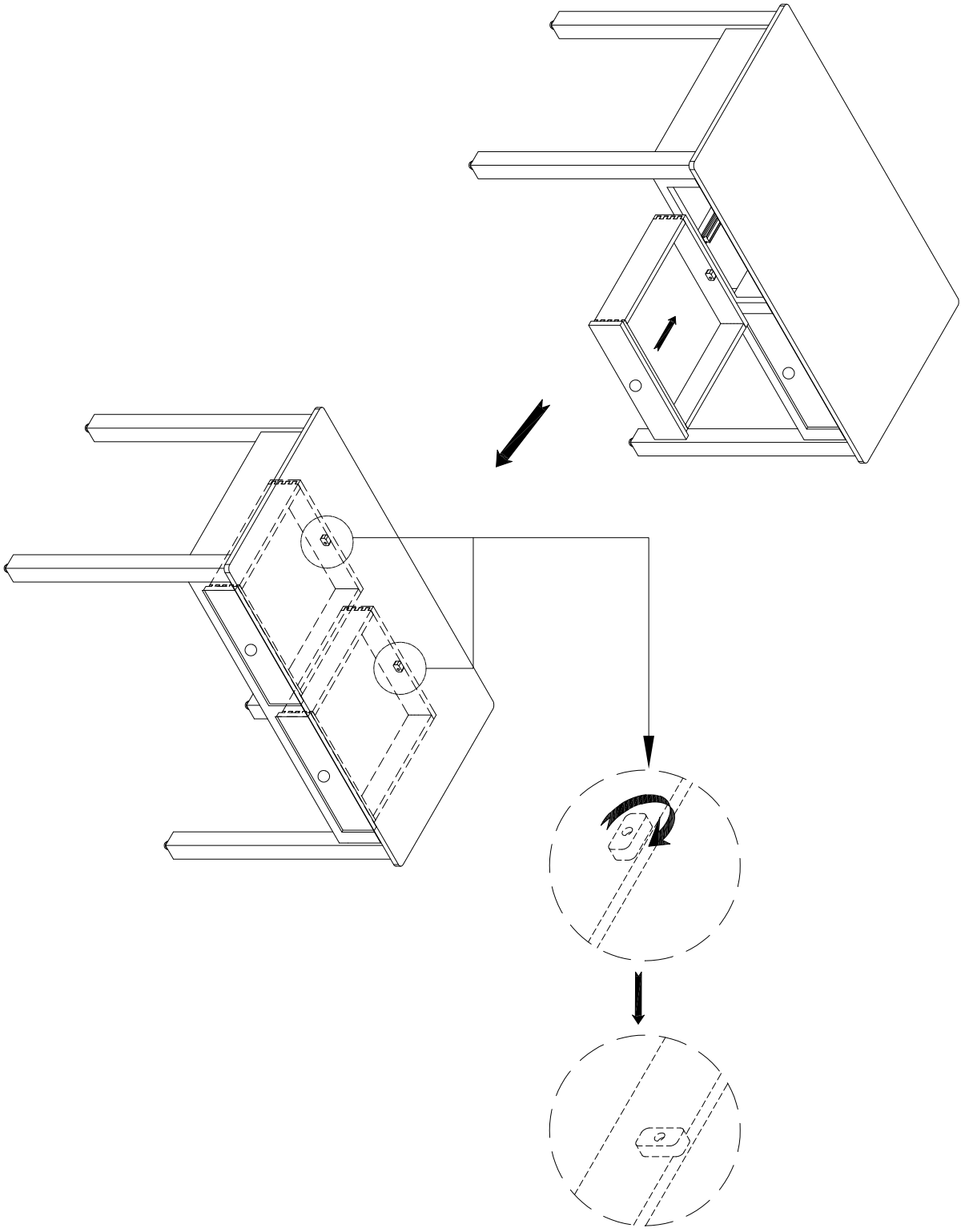
2



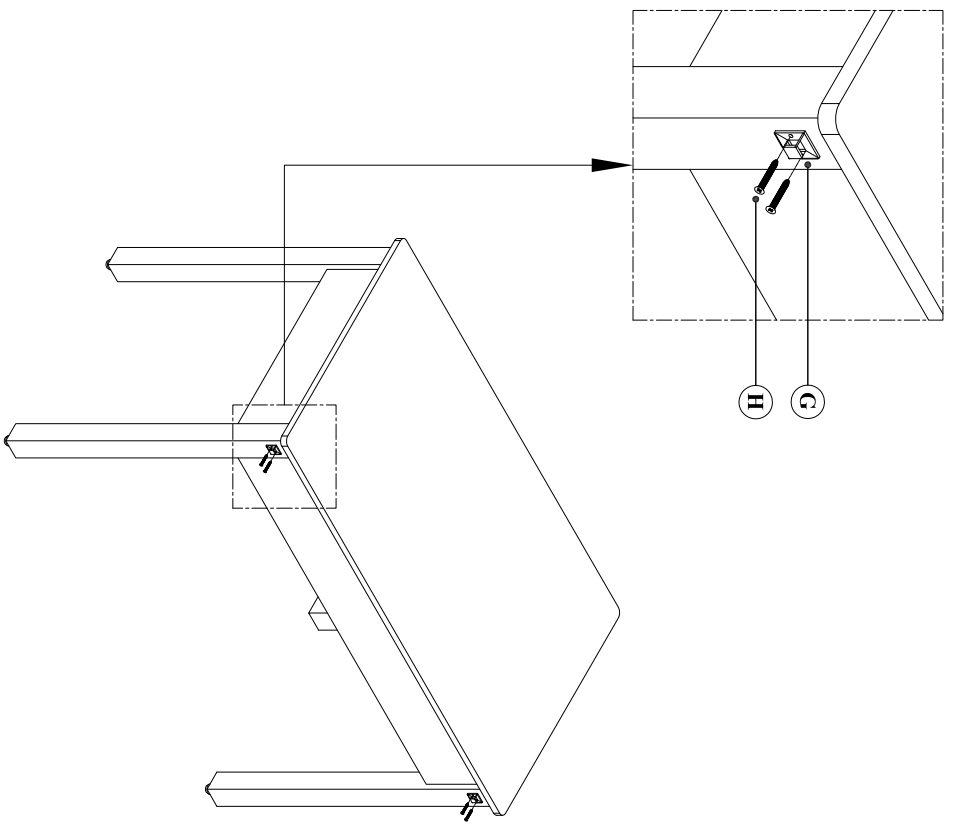
OR



3



4



5

